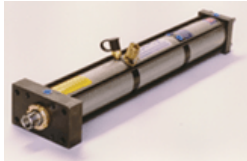
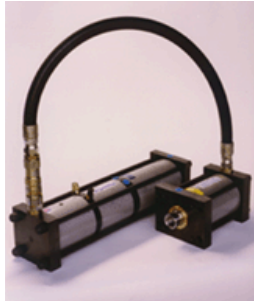


Aries Complete Piercing Package

The HyperCyl® Hydra-Pneumatic Air/Oil Cylinder from AEC offers high force capabilities with normal air pressure, eliminating the need for Hydraulic Power Units. HyperCyl units are clean, quiet, and reliable and operate in any position or attitude. Available over 100 tons with 60 PSI shop air.



Integrated Force & Distance Feedback

	<p><u>HyperCyl HPI Series "Inline":</u></p> <ul style="list-style-type: none"> <li>• 1-100 Ton Sizes available</li> <li>• 2,4, 6, 8" Strokes, .5" power strokes</li> <li>• Forces up to 196,000 lbs @ 100 PSI</li> <li>• Inline Mounting</li> <li>• Totally self-contained unit</li> <li>• Greatest force-per-dollar investment</li> </ul>	<p><u>HyperCyl HPT Series "Tandem":</u></p> <ul style="list-style-type: none"> <li>• 1-10 Ton Sizes available</li> <li>• 2,4, 6, 8" Strokes, 1" Power Strokes</li> <li>• Forces up to 26,000 lbs @ 100 PSI</li> <li>• Inline Mounting</li> <li>• Totally self-contained provides a compact package to be used in applications where space is limited</li> </ul>
	<p><u>HyperCyl HPS Series "Satellite":</u></p> <ul style="list-style-type: none"> <li>• 1-100 Ton Sizes available</li> <li>• 2,4, 6, 8" Strokes, 1" power strokes</li> <li>• Forces up to 196,000 lbs @ 100 PSI</li> <li>• Self-contained unit provides a compact package to be used in applications where space is limited</li> <li>• Work cylinder can be mounted up to 10 feet from booster cylinder. Multiple work cylinders can be operated from a single booster unit.</li> </ul>	<p>For more information on custom HyperCyl units, including the Intellicyl unit below, please click on the link below to visit the Aries Engineering Website:</p> <p style="text-align: center;"><a href="http://www.hypercyl.com">www.hypercyl.com</a></p>



HyperCyl Intellicyl Press:

- Integrated hydra-pneumatic cylinder with complete built-in signature analysis feedback
- Low Voltage Linear Transducer gives positioning accuracy to within .001" and welding as close as 5.00" with no distortion
- Optional Pressure Transducer
- Load Cell offers the benefit of holding hysteresis to within .2 of 1% of the force on the cylinder rod
- Built-in Satellite Cylinder (HPS Series) can be mounted in any position or attitude without loss of performance
- Heavy-duty construction with a 12 month warranty
- Generates a complete feedback in an Analog signal

Benefits of the LVLT (Low Voltage Linear Transducer):

- LVLT is Baluff 5th Generation which eliminate RF interference
- Accounts for heat distortion via "Auto-tune" feature
- Positioning accuracy to within .001"
- Welding as close as 5.00" with no distortion

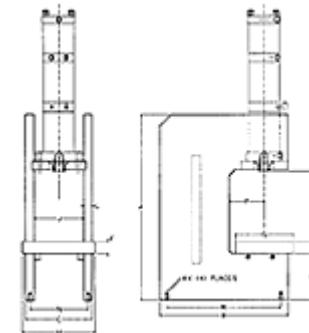
Benefits of the Load Cell feature:

- High quality - manufactured by Toledo Transducer
- Integrates with 1 Ton (1.00") up to 50 Ton (3.00") units
- Hysteresis is within .2 of 1% of force on the rod



C-Frame Press:

- Custom built to customer's specifications
- Can be supplied as a "turnkey" package
- Heavy duty steel construction
- Options include Tooling T-slots, thru-holes, special mounting patterns, punch tooling, die coupling
- Standard features include tooling and cylinder plates - blanchard ground and pre-drilled



H-Frame Press:

- Custom built to customer's specifications
- Can be supplied as a "turnkey" package
- Heavy duty steel construction
- Options include Tooling T-slots, columb guided tooling plate, thru-holes, punch tooling, die coupling
- Standard features include tooling and cylinder plates - blanchard ground and pre-drilled

