

9.2.6 Built-in version

The built-in version lets you mount the rotary table direct to the bottom of the machine table through threads at the top of the housing. Optionally, you can fasten the housing using a mounting ring.

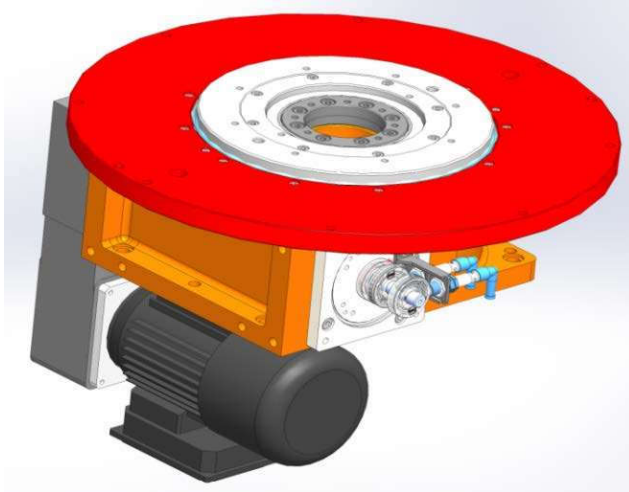


Fig.: Integrated model with thread