

9.2.4 Strengthened table top bearing (EM and EM.NC)

The table top is pre-loaded against the housing in a play-free manner using a second axial needle bearing. The strengthened table top bearing permits higher tilting moments on the positioned and rotating table top:

(Cannot be combined with hydraulic table top lock)

- Tilting moment on the positioned table top (+200%)
- Tilting moment on the rotating table top (+300%)

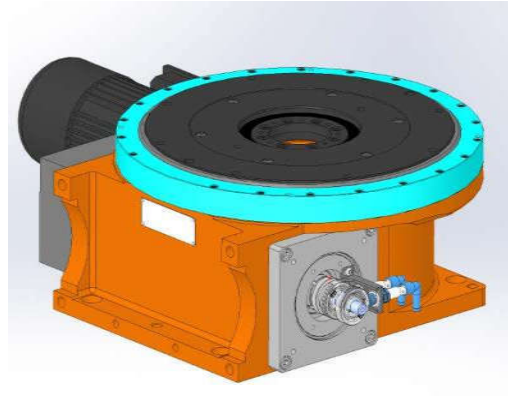


Fig.: Strengthened table top bearing

9.2.5 Hydraulic table top lock (EM and EM.NC)

In its positioned state, the table top is connected with the housing in a friction-locked and backlash-free manner by means of hydraulically pressurised clamp. Higher tangential loads are possible and the gearbox parts are relieved.

- Operating pressure: 64 +10 bar
- Clamping time approx.: 0.4s
- Release time approx.: 0.2s.

A hydraulic unit and/or pneumo-hydraulic clamping unit are available as an accessory.

(Cannot be combined with a strengthened table top bearing)

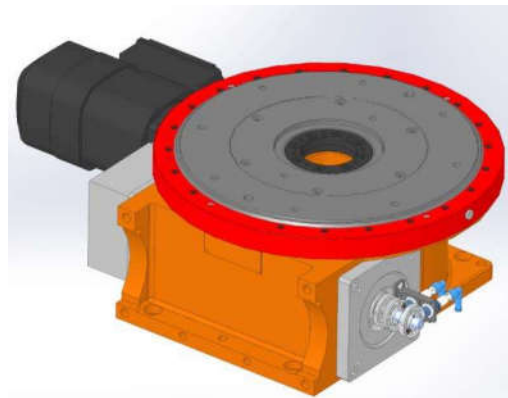
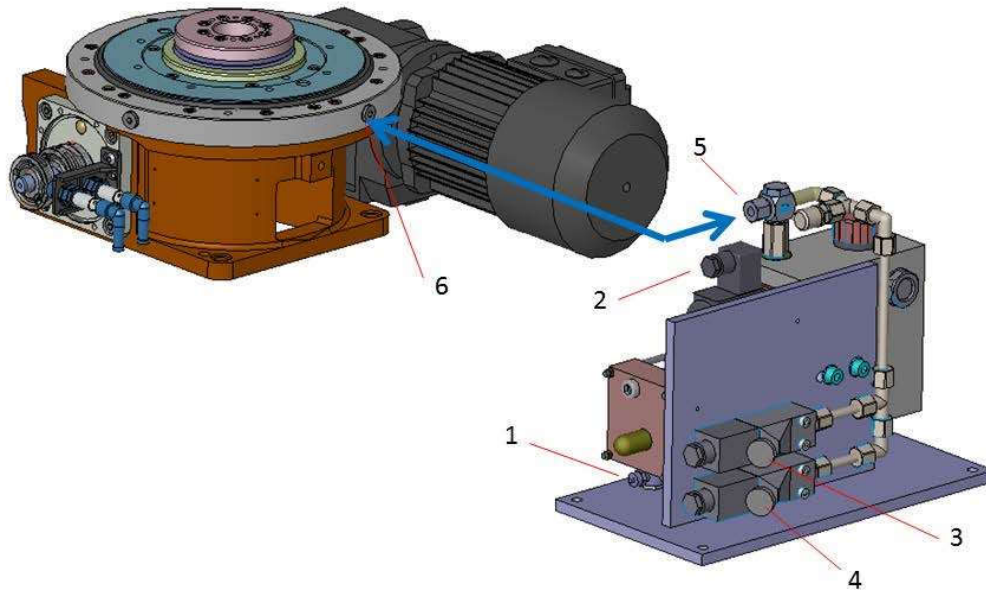


Fig.: Hydraulic switching plate clamping

Please note!

The clamping should never be activated during the rotation motion of the table top (also not at emergency stop!). The rotary table should never start against closed clamping. This leads to damages. When the clamping is activated, the table top and the housing are connected to each other in a friction-locked manner. The max. clamping pressure and the max. operating pressure should not be exceeded. At higher pressures, the clamping elements can be damaged. The activation of the tangential forces may take place only within the limits defined by the technical specification. If the tangential moments at the clamped table top are exceeded, the clamping elements and, possibly, the driving elements are destroyed.

9.2.5.1 Connection diagram of table top clamp



- 1 Pneumatic connection 6 bar
- 2 Control valve 24 VDC
- 3 Pressure switch S1 / setting range 2-20 bar
- 4 Pressure switch S3 / setting range 10-100 bar
- 5 Pressure output, hydraulics
- 6 Pressure connection, table top clamp

Settings

S1: 2 bar check whether clamp released

S3: 64 bar check whether clamped