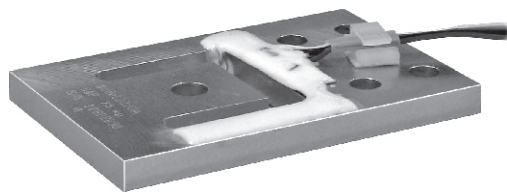


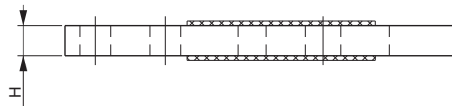
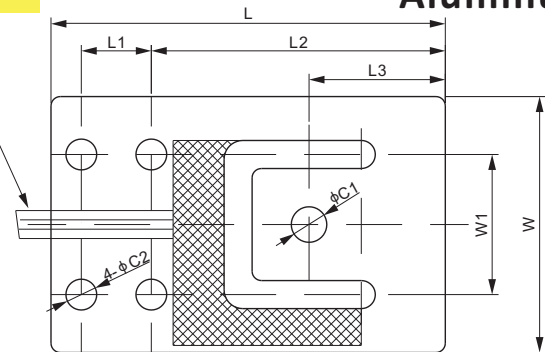


Wixom Office  
269-209-7291  
sales@ptrsales.com  
Grand Rapids Office  
616-446-5778

# FLC-01 Aluminum



4 conductor ribbon cable  
1.5m length



## DIMENSIONS

RATED CAPACITY	C1	C2	H	L	L1	L2	L3	W	W1
<b>kg/mm</b>									
3.75	5.1	5.1	2.0	70.0	14.0	51.1	23.1	39.0	27.8
7.5	5.1	5.1	2.3	70.0	14.0	51.1	23.1	39.0	27.8
15	7.6	5.1	4.1	70.0	14.0	51.1	23.1	39.0	27.8
37.5	7.6	6.6	4.8	76.2	15.0	55.2	25.9	44.5	30.0
75	7.6	6.6	6.5	84.5	15.0	63.0	29.2	54.8	30.0
150	9.1	8.1	7.9	107.3	22.9	76.6	30.7	69.9	44.5
375	9.1	9.8	12.7	119.4	25.4	84.9	32.3	76.1	50.8
<b>lb/inches</b> (conversion of above dimensions)									
8.27	0.20	0.20	0.08	2.76	0.55	2.01	0.91	1.54	1.10
16.5	0.20	0.20	0.09	2.76	0.55	2.01	0.91	1.54	1.10
33	0.30	0.20	0.16	2.76	0.55	2.01	0.91	1.54	1.10
82.7	0.30	0.26	0.19	3.00	0.59	2.17	1.02	1.75	1.18
165	0.30	0.26	0.26	3.33	0.59	2.48	1.15	2.16	1.18
331	0.36	0.32	0.31	4.22	0.90	3.02	1.21	2.75	1.75
827	0.36	0.39	0.50	4.70	1.00	3.34	1.27	3.00	2.00

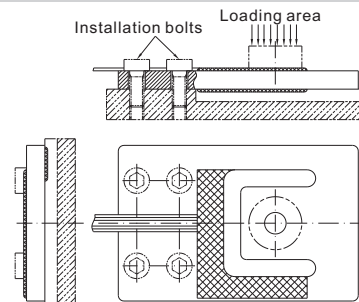
## SPECIFICATIONS

<b>Full Scale Output</b>	0.9 mV/V $\pm$ 0.1%	<b>Element Material</b>	Aluminum
<b>Calibration in mV/V/<math>\Omega</math></b>	$\pm$ 0.05%	<b>Recommended Excitation</b>	10V (15V Maximum)
<b>Zero Balance</b>	$\pm$ 0.02 mV/V	<b>Insulation Resistance</b>	>2 [ 50V DC ] G $\Omega$
<b>Non-linearity</b>	< $\pm$ 0.020%	<b>Nominal Temperature Range</b>	-10°C to 40°C / 14°F to 104°F
<b>Repeatability</b>	< $\pm$ 0.017%	<b>Safe Overload</b>	150% of full scale
<b>Hysteresis Error</b>	< $\pm$ 0.015%	<b>Breaking Overload</b>	300% of full scale
<b>Creep in 30 min.</b>	< $\pm$ 0.015%	<b>Seal Type / IP Rating</b>	Environmentally Sealed / IP65
<b>Input Resistance</b>	1190 $\Omega$ $\pm$ 10	<b>Cable Color Code</b>	Exc+ Red      Exc- Black Sig+ Green    Sig- White
<b>Output Resistance</b>	1000 $\Omega$ $\pm$ 10		

## PART NUMBER

Rated Capacity	Part No.	Shipping Weight (kg) Approx.
3.75kg.....	FLC-01-3.75kg.....	0.1
7.5kg.....	FLC-01-7.5kg.....	0.1
15kg.....	FLC-01-15kg.....	0.1
37.5kg.....	FLC-01-37.5kg.....	0.1
75kg.....	FLC-01-75kg.....	0.1
150kg.....	FLC-01-150kg.....	0.2
375kg.....	FLC-01-375kg.....	0.4

## INSTALLATION DRAWING



Load Cell Systems reserves the right to change specifications without notice. ©2018

Web: <https://loadcellsys.com>

Email: [sales@loadcellsys.com](mailto:sales@loadcellsys.com)

Phone: 607-426-1467